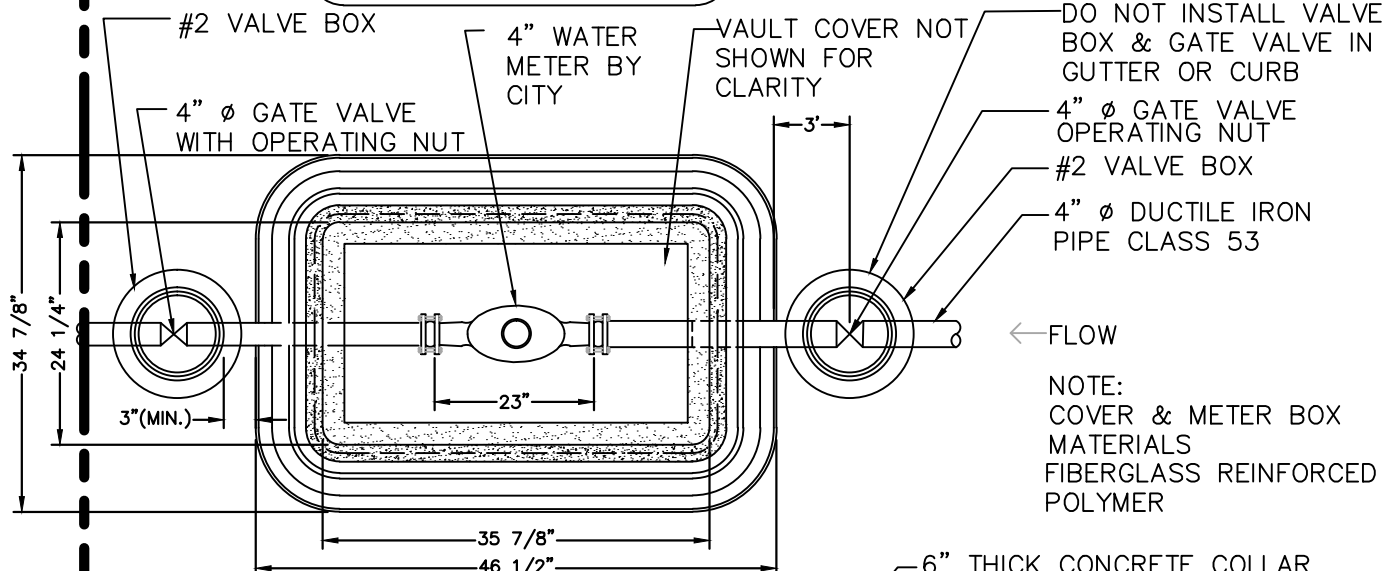
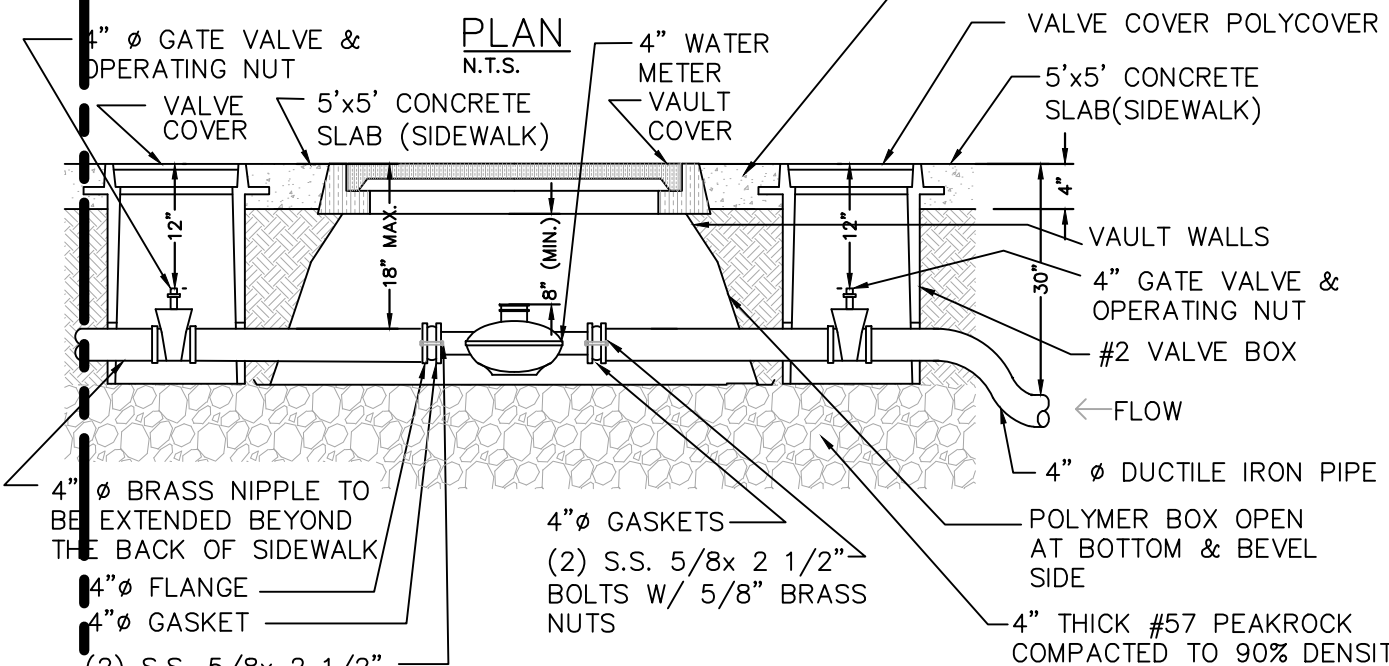


VAULT COVER
 LABELED "WATER"
 SHOULD HAVE 2
 SLOTS 1" X0.5" AT
 EACH SIDE.



DO NOT INSTALL VALVE
 BOX & GATE VALVE IN
 GUTTER OR CURB
 4" Ø GATE VALVE
 OPERATING NUT
 #2 VALVE BOX
 4" Ø DUCTILE IRON
 PIPE CLASS 53

← FLOW
 NOTE:
 COVER & METER BOX
 MATERIALS
 FIBERGLASS REINFORCED
 POLYMER



PLAN
 N.T.S.

SECTION

NOTE:
 1. METER BOX AND COVER IN TRAFFIC ARE TO
 BE HS-20 RATED.
 2. ALL BRASS FITTINGS TO BE LEAD FREE
 MATERIAL.

4 " WATER METER DETAIL
 N.T.S.