



Miami Beach Fire Department
FIRE PREVENTION DIVISION
STANDARDS



TOPIC: **Handrails and Guardrails**
Page 1 of 2

STANDARD NO: NEWC-S09
Revision 0

The City of Miami Beach Planning Department has established a particular design for handrails and guardrails for the exterior of the buildings throughout the City. This FPS will help clarify what is required and acceptable for these projects.

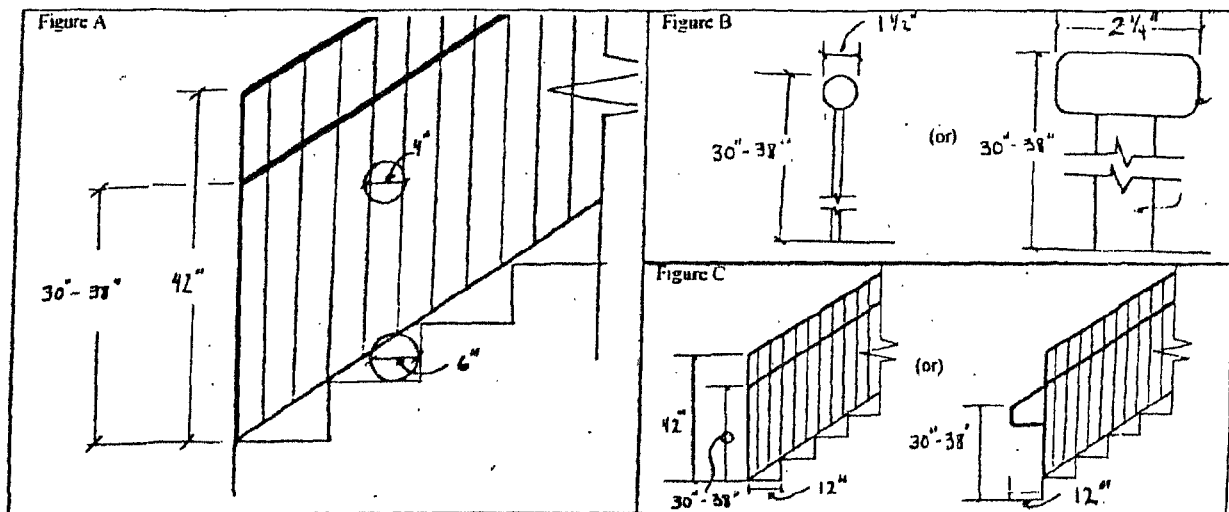
Many of the existing historic buildings in the City are being renovated and the requirement of code compliant handrails and guardrails is creating a problem during plan review and inspections. This FPS will help clarify what is required and acceptable for these projects.

Exterior Stairs:

All new guards and handrails must be in full compliance with the requirements of Chapter 7 of the Life Safety Code-NFPA 101. All handrails and guardrails installed in the exterior of any building shall be of the square shape as opposed to the circular shape (Please see Figure B). The code provides for specific dimensions in order to meet graspability requirements. The pickets will be square shape. The extension will terminate at a post instead of a return. Please note that new handrails in the inside stairwells will be of circular shape for optimum graspability.

Historic Stairs:

Existing guards and handrails in the lobby of historic buildings must meet the minimum criteria described herein for existing guards and handrails. Guards and handrails in historic lobbies that must be replaced because the guards/handrails are in poor conditions, were removed, or never installed must be designed to match original design as approved by the Planning Department. However, new code requirements (i.e., height, opening rejection) would apply.



TOPIC: Existing open guards and handrails in Historical Buildings

This standard applies only to existing guards and handrails located on the exterior and in the lobbies of Buildings designated as Historical. Existing guards and handrails must meet the minimum criteria described herein. All new guards and handrails must be in full compliance with the requirements of Chapter 7 of the Life Safety Code 2004 Edition.

Figure A

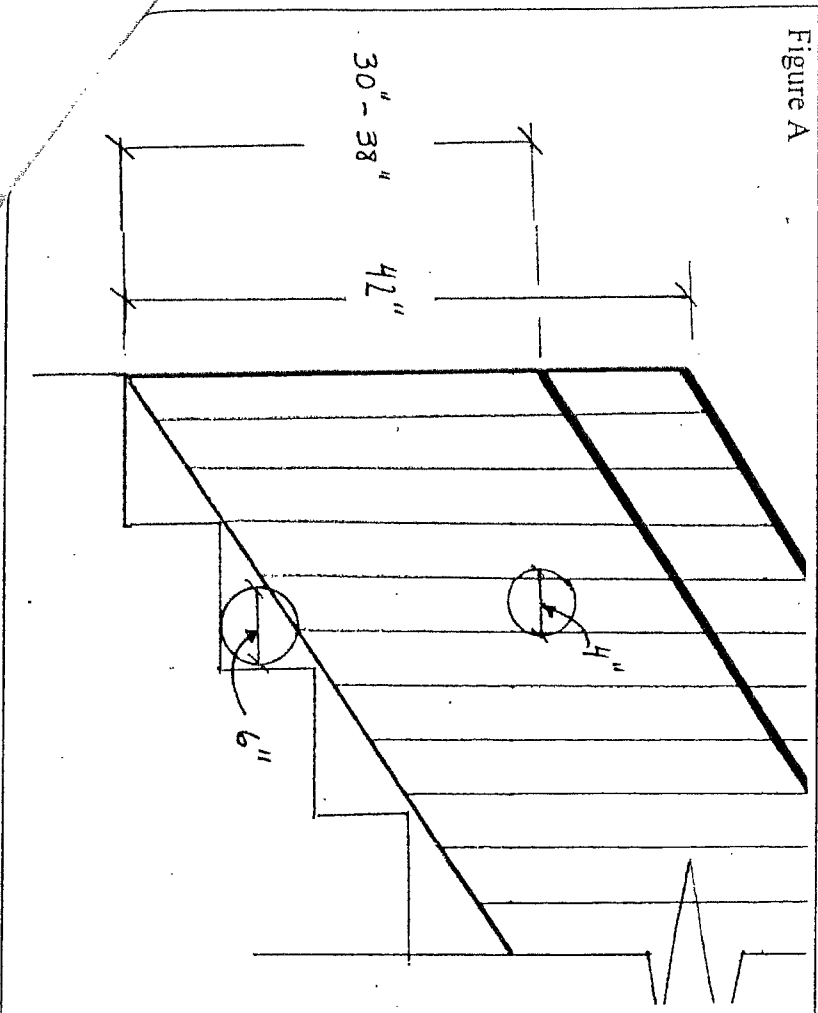


Figure B

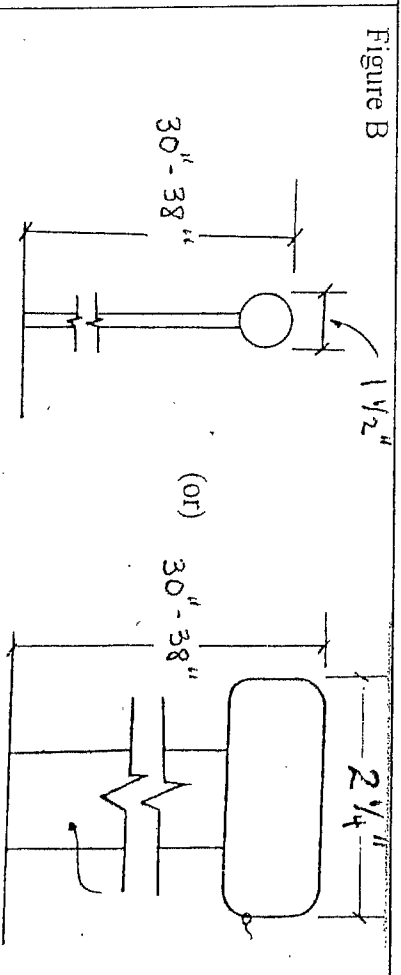


Figure C

