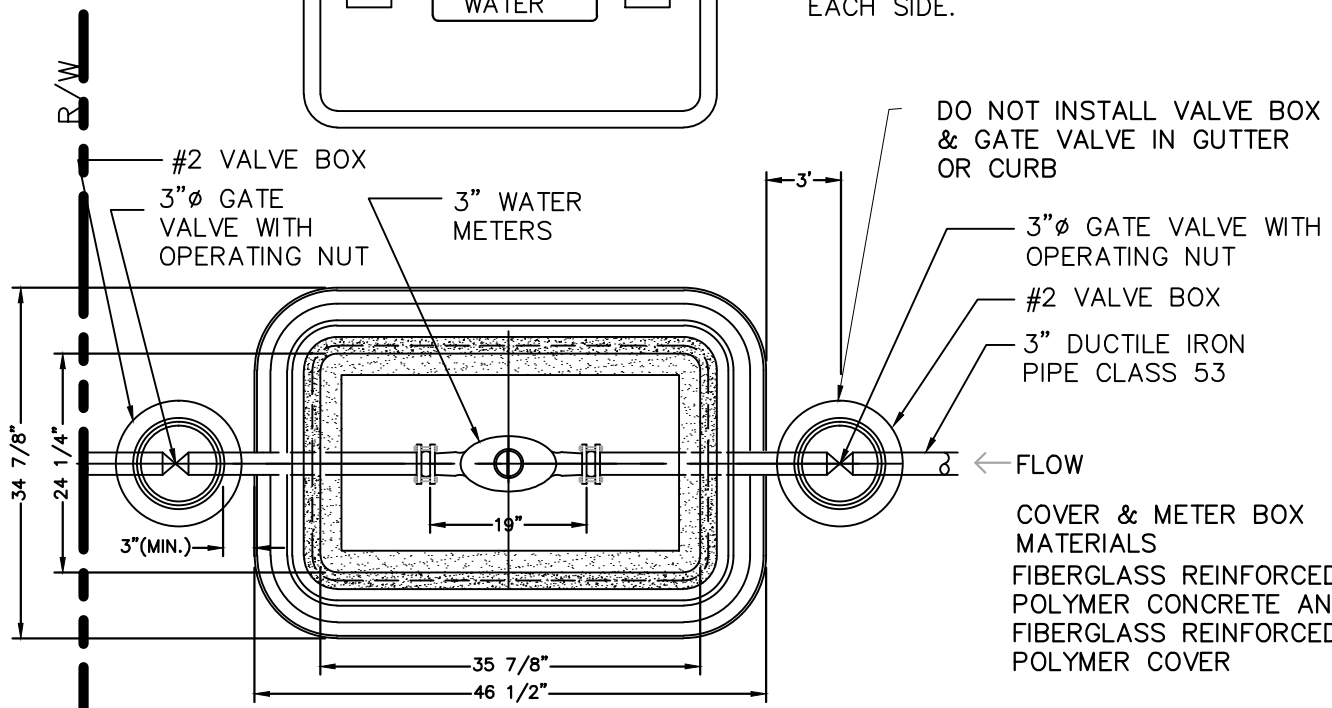


VAULT COVER  
 LABELED "WATER"  
 SHOULD HAVE 2  
 SLOTS 1" X0.5" AT  
 EACH SIDE.

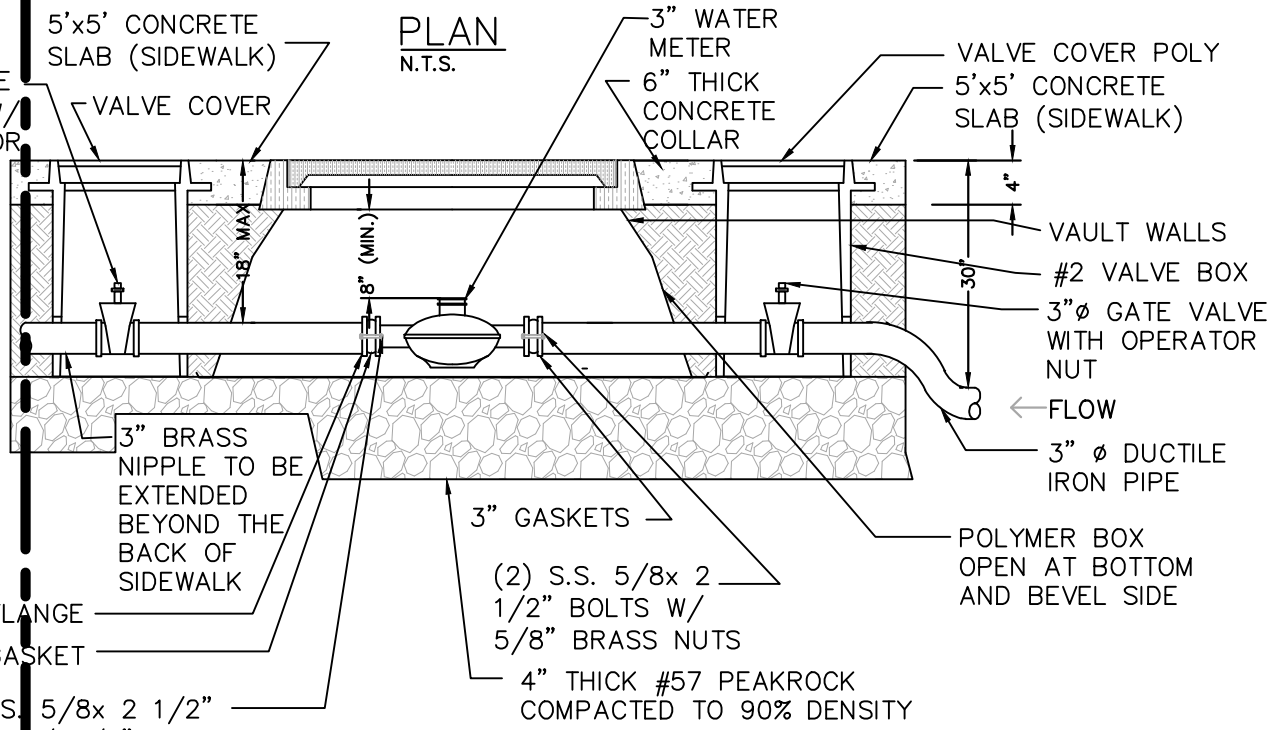


DO NOT INSTALL VALVE BOX  
 & GATE VALVE IN GUTTER  
 OR CURB

3"  $\phi$  GATE VALVE WITH  
 OPERATING NUT  
 #2 VALVE BOX  
 3" DUCTILE IRON  
 PIPE CLASS 53

COVER & METER BOX  
 MATERIALS  
 FIBERGLASS REINFORCED  
 POLYMER CONCRETE AND  
 FIBERGLASS REINFORCED  
 POLYMER COVER

PLAN  
 N.T.S.



SECTION

1.- METER BOX AND COVER IN  
 TRAFFIC ARE TO BE HS-20 RATED

3" WATER METER DETAIL  
 N.T.S.

F:\WORK\S\ALL\CAD-DWG\STANDARDS\CMB\_STANDARD\_DETAILS\Public Works Manual\CMB Water Details



APPROVED  
 12/2006

REVISED  
 10/26/2007  
 01/23/2009  
 12/13/2012

TITLE:

WATER DETAILS NO. 5  
 3" WATER METER DETAIL

WS10a  
 SHEET 12 OF 35