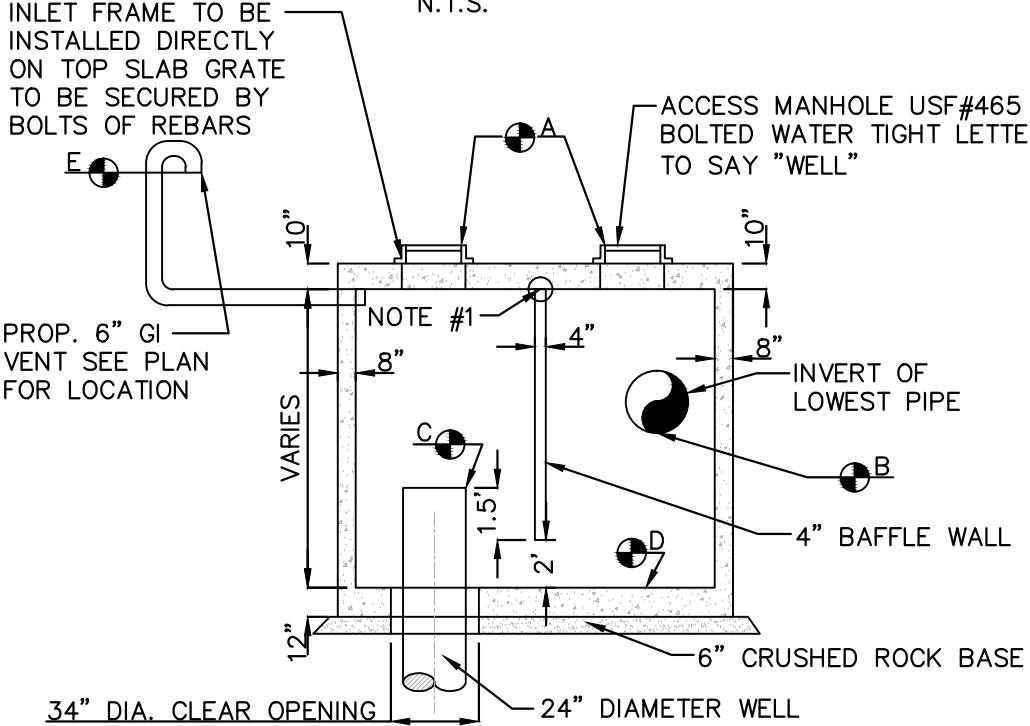
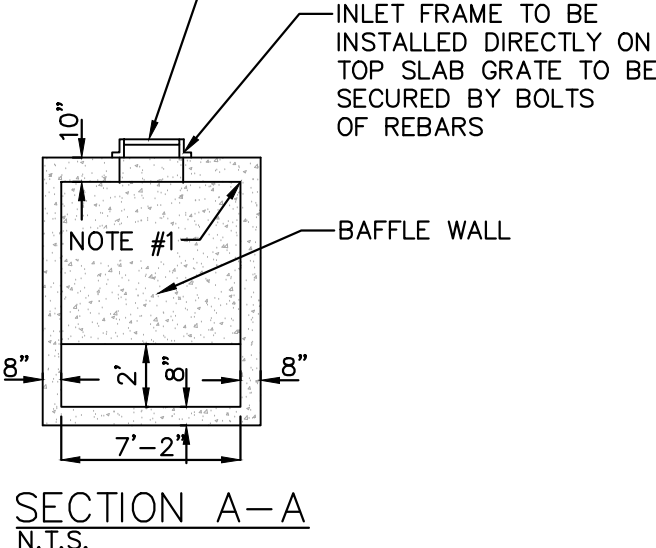
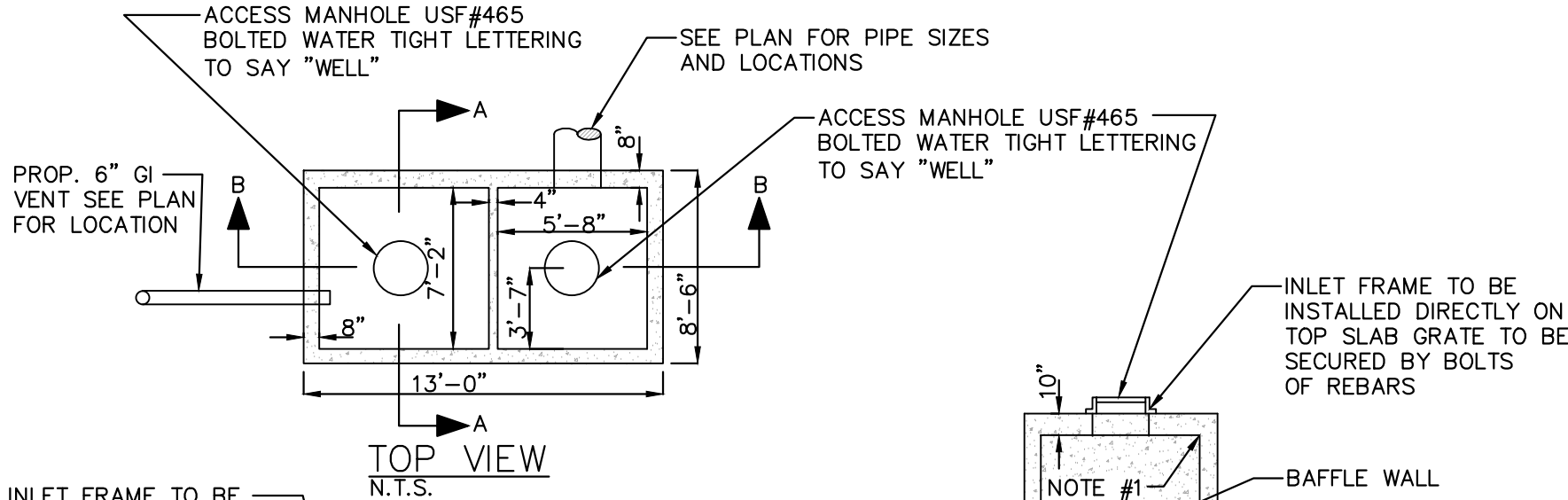




F:\WORKS\ALLCAD-DWG\STANDARD\SCMB - STANDARD - DETAILS\Public Works Manual\CMB Drainage Details



NOTE #1: CONTRACTOR SHALL GROUT BETWEEN 4" CONCRETE BAFFLE.

DEEP DRAINAGE WELL DETAIL
N.T.S.