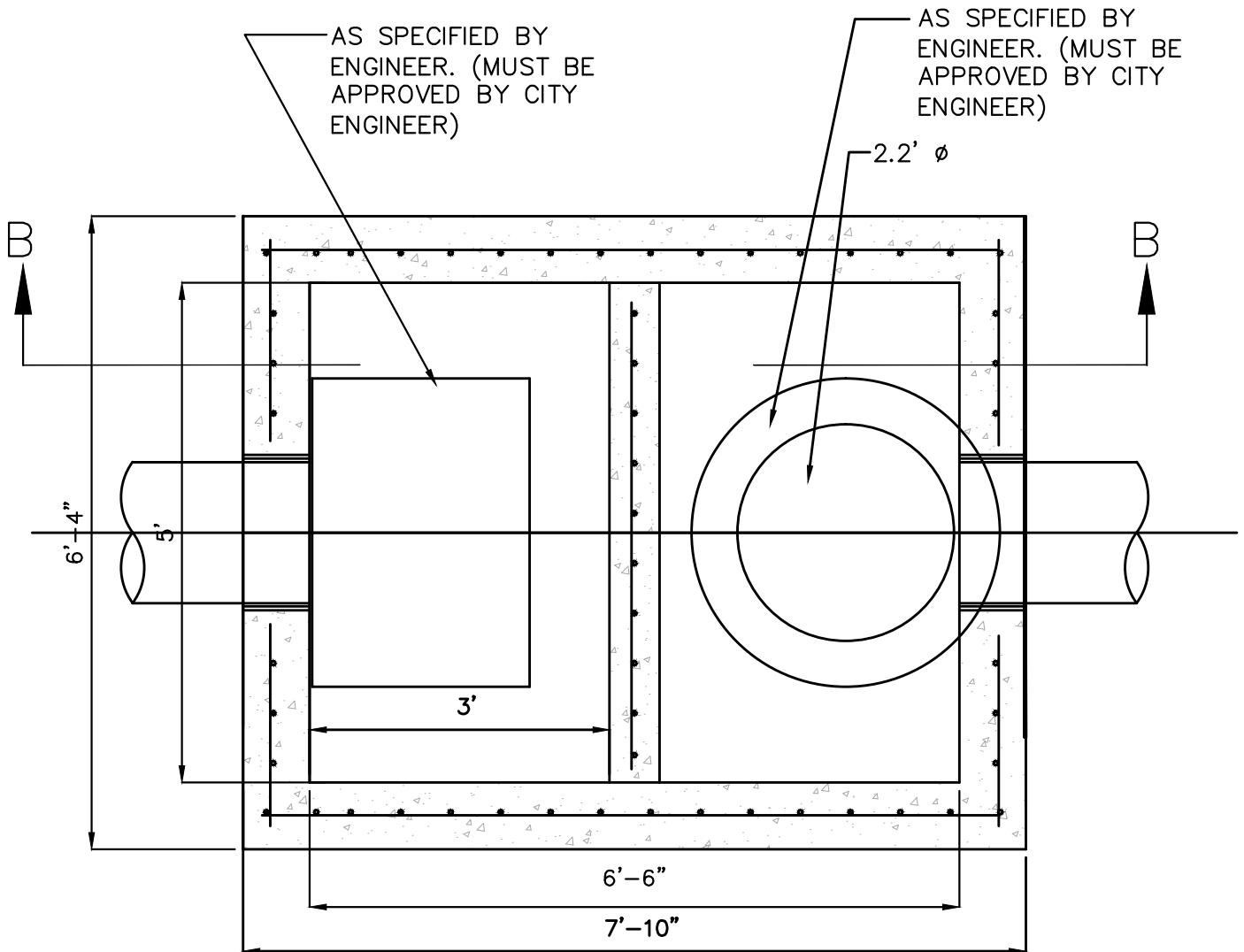


SECTION B-B



CONTROL STRUCTURE CONCRETE WALLS  
N.T.S.

F:\WORK\ALL\CAD-DWG\STANDARDS\CMB\_STANDARD\_DETAILS\Public Works Manual\CMB Drainage Details