



MIAMI BEACH
PUBLIC WORKS DEPARTMENT
1700 CONVENTION CENTER DRIVE, MIAMI BEACH, FL 33139

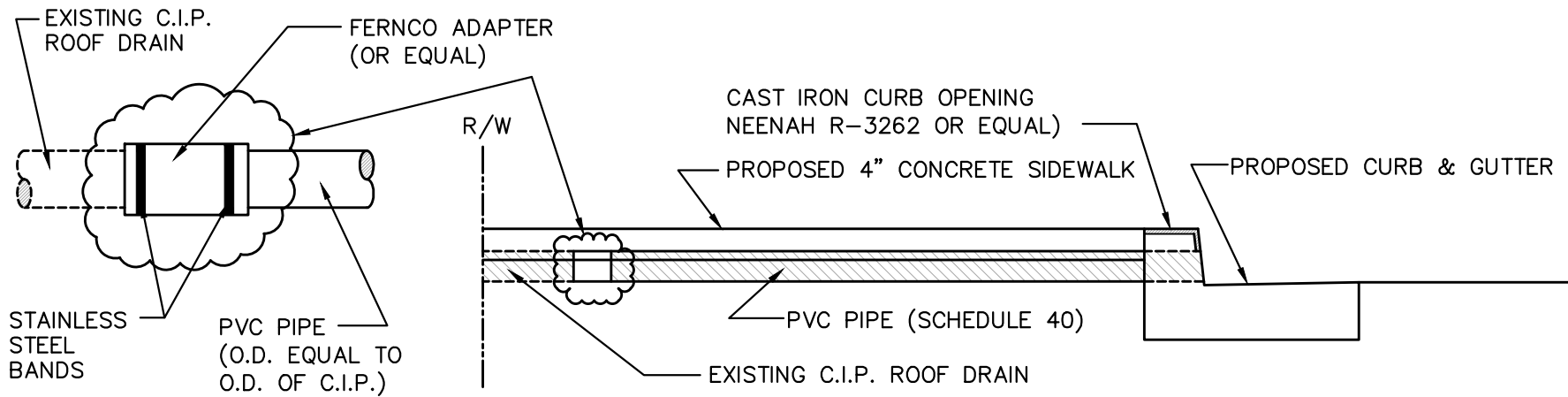
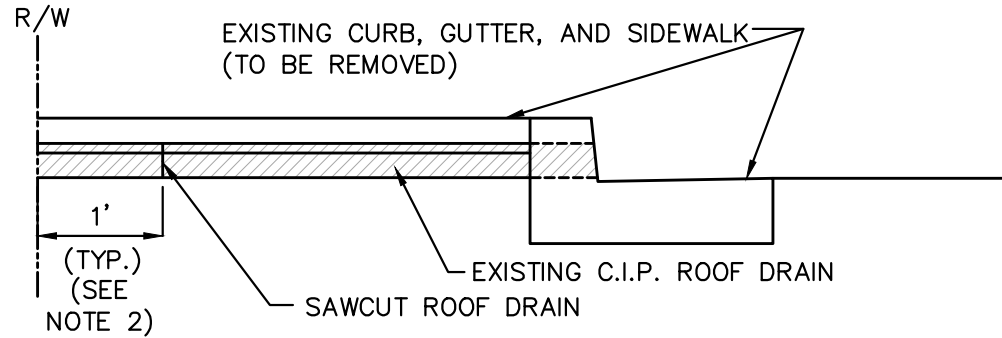
APPROVED
08/23/2007

REVISED
12/16/2009

TITLE:
STORM WATER DETAILS NO. 5
ROOF DRAIN EXTENSION DETAIL (TYPE A)

SD30

F:\WORKS\ALLCAD-DWG\STANDARDS\CMB - STANDARD-DETAILS\Public Works Manual\CMB Drainage Details



ROOF DRAIN EXTENSION DETAIL (TYPE A)

ROOF DRAIN EXTENSION DETAIL (TYPE A)
N.T.S.