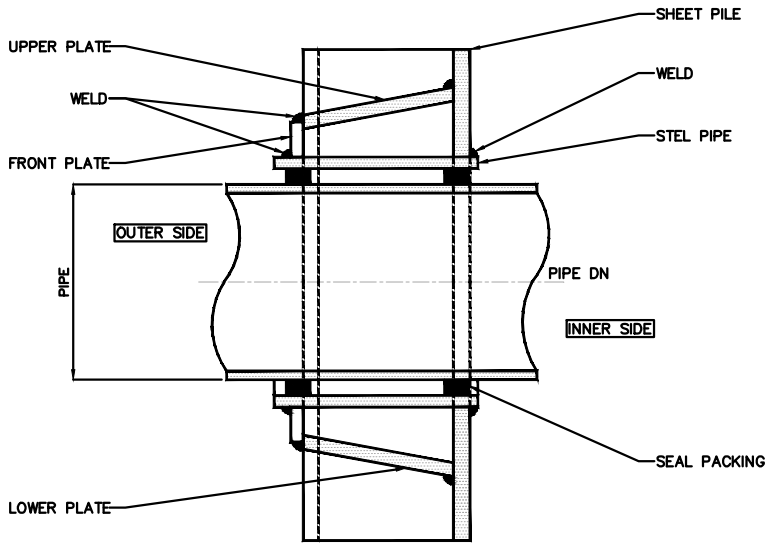
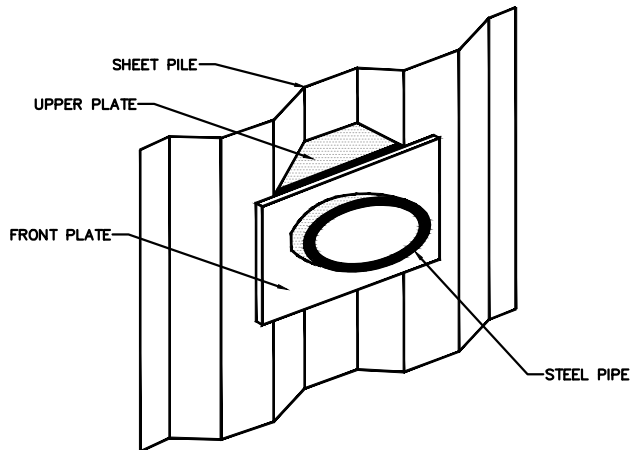


SHEET PILE DETAIL AT PIPE CROSSING  
PLAN VIEW



SHEET PILE DETAIL AT PIPE CROSSING  
SIDE VIEW



SHEET PILE DETAIL AT PIPE CROSSING  
ISOMETRIC VIEW

SHEET PILE DETAILS AT PIPE CROSSING  
N.T.S.

F:\WORK\ALL\CAD-DWG\STANDARDS\CMB\_STANDARD\_DETAILS\Public Works Manual\CMB Drainage Details