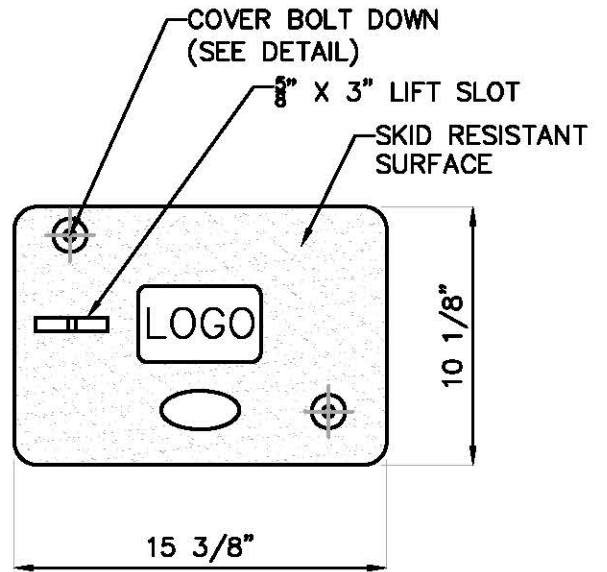
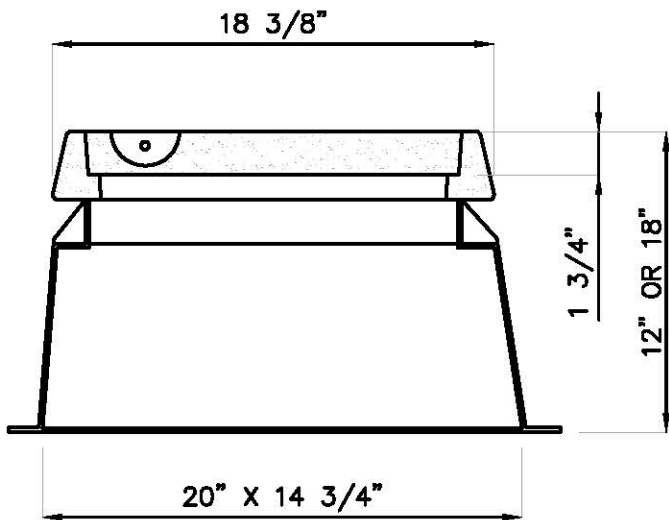


TOP VIEW



COVER WITH BOLT DOWN



BOX & COVER SECTION
(FLARED WALL)

SEWER CLEANOUT BOX AND COVER
N.T.S.

F:\work\SALL\CAD-DWG\STANDARDS\CMB - STANDARD_DETAILS\Public Works Manual\CMB Sanitary Details