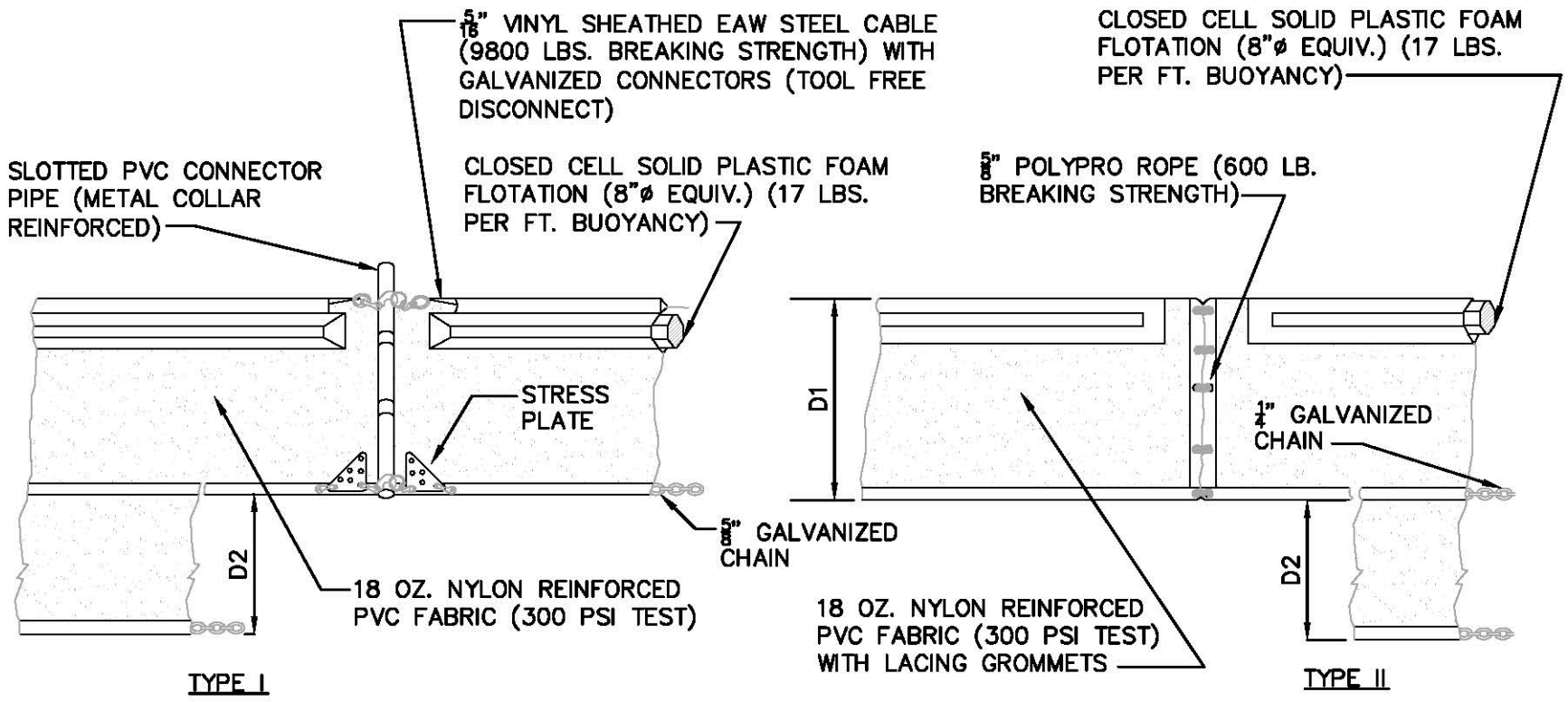




Fl:\work\5\ALLCAD-DWG\STANDARD\BOS\BOS\STANDARD DETAIL\Public Works Manual\CMB Site Earthwork Details

FLOATING TURBIDITY BARRIER  
N.T.S.



D1 = 5' STD, (SINGLE PANEL FOR DEPTHS 5' OR LESS).  
D2 = 5' STD. (ADDITIONAL PANEL FOR DEPTHS > 5').  
CURTAIN TO REACH BOTTOM UP TO DEPTHS OF 10 FEET.  
TWO (2) PANELS TO BE USED FOR DEPTHS GREATER THAN 10 FEET UNLESS SPECIAL DEPTH CURTAINS SPECIFICALLY CALLED FOR IN THE PLANS OR AS DETERMINED BY THE ENGINEER.

NOTICE: COMPONENTS OF TYPE I AND II MY BE SIMILAR OR IDENTICAL TO PROPRIETARY DESIGNS. ANY INFRINGEMENT ON THE PROPRIETARY RIGHTS OF THE DESIGNER SHALL BE THE SOLE RESPONSIBILITY OF THE USER. SUBSTITUTIONS FOR TYPES I AND II SHALL BE AS APPROVED BY THE ENGINEER.