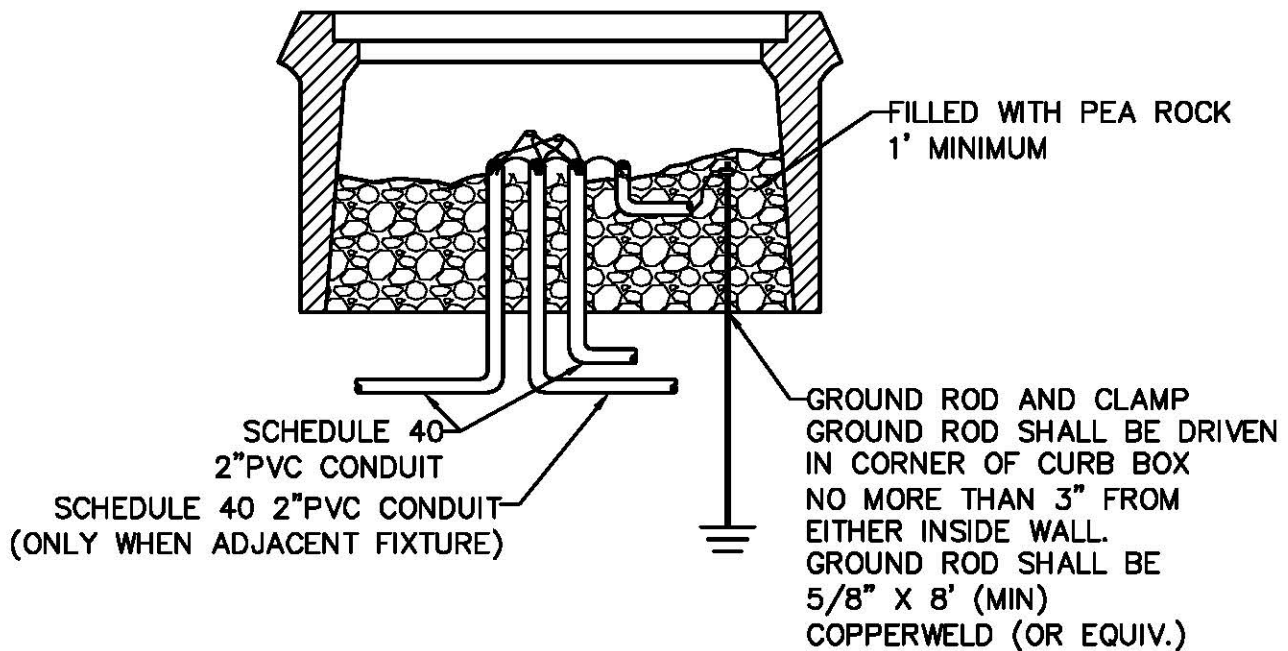


PULL BOX DETAIL



17"x30" QUAZITE PULL BOX
N.T.S.

F:\work\ALL\CAD-DWG\STANDARDS\CMB_STANDARD_DETAILS\Public Works Manual\CMB Street Light