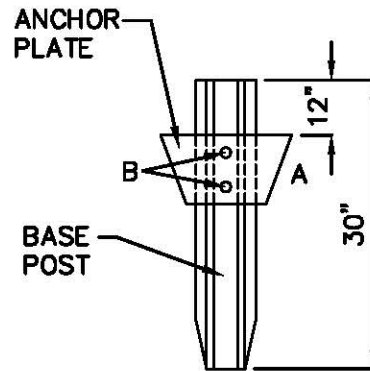
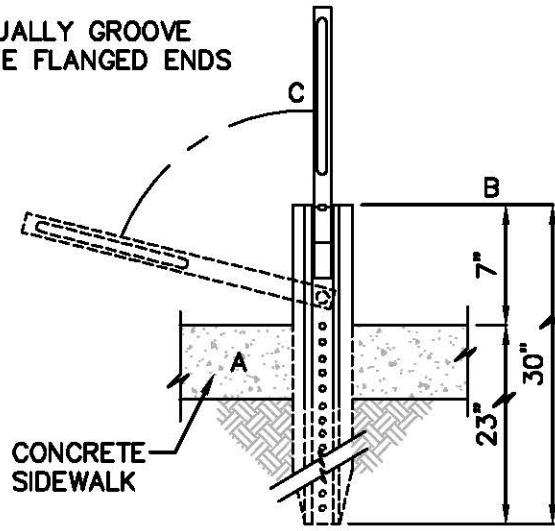
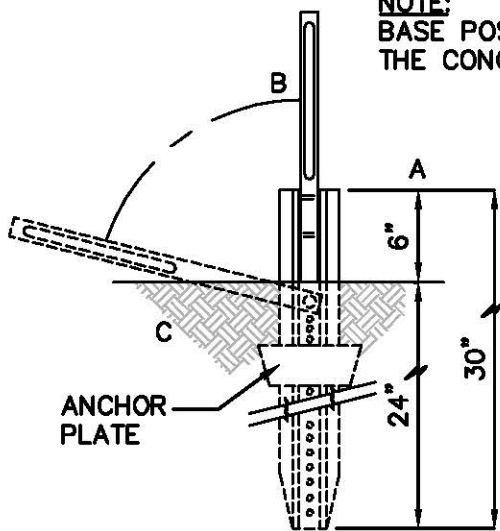


LARGE ANCHOR PLATE



- A. LINE-UP 6"x12" ANCHOR PLATE WITH 30" BASE POST.
- B. ATTACH ANCHOR PLATE TO BASE POST WITH TWO (2) $\frac{7}{16}$ " - 18 UNC X $2\frac{1}{2}$ " BOLTS, NUTS, AND LOCKWASHERS.

NOTE:
BASE POST WILL ACTUALLY GROOVE THE CONCRETE AT THE FLANGED ENDS



- A. DRIVE BASE POST TO SIX (6) INCHES ABOVE GROUND
- B. ROTATE STRAP TO VERTICAL POSITION
- C. TO BE USED ON LOOSE FILL AND SANDY SOILS

- PRIOR TO DRIVING BASE POST:**
- A. BORE A 3" DIAMETER HOLE THROUGH THE CONCRETE FLAG
 - B. DRIVE BASE POST TO SEVEN (7) INCHES ABOVE GROUND
 - C. ROTATE STRAP TO VERTICAL POSITION

STREET SIGN POST, TYPICAL INSTALLATION
N.T.S.