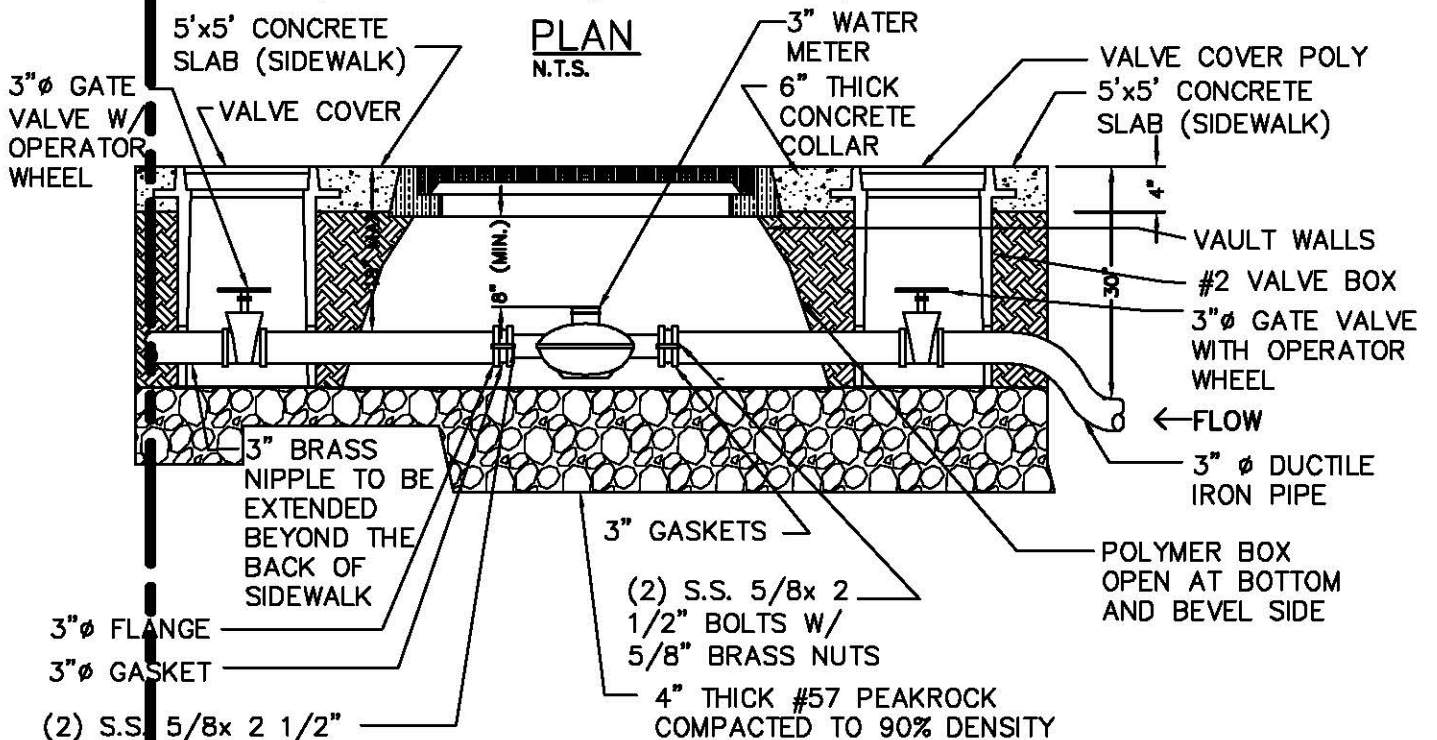
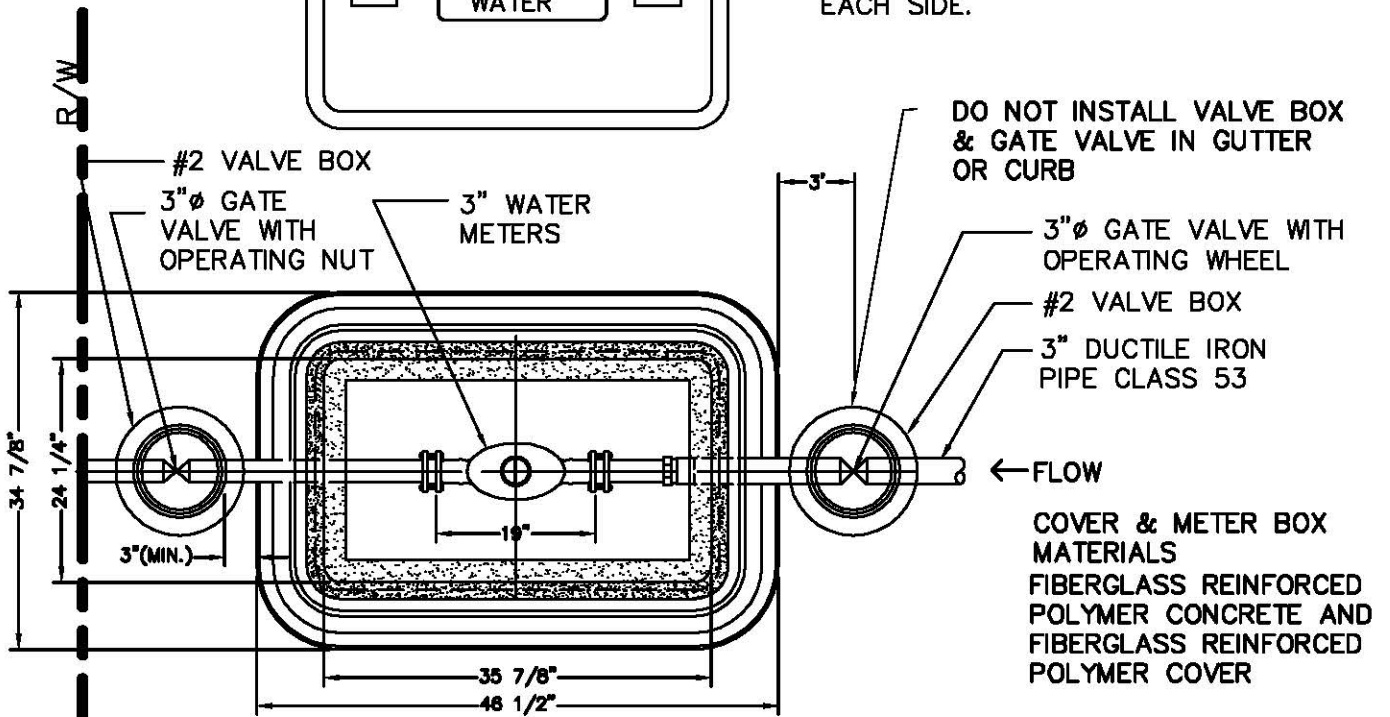


VAULT COVER  
 LABELED "WATER"  
 SHOULD HAVE 2  
 SLOTS 1" X0.5" AT  
 EACH SIDE.



PLAN  
 N.T.S.

SECTION

1.- METER BOX AND COVER IN TRAFFIC ARE TO BE HS-20 RATED

3" WATER METER DETAIL  
 N.T.S.

F:\work\ALL\CAD-DWG\STANDARDS\CMB\_STANDARD\_DETAILS\Public Works Manual\CMB Water Details