

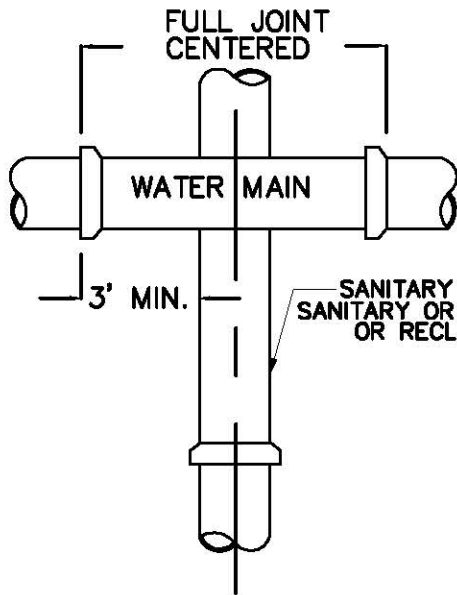
WATER MAIN



12" PREFERRED / 6" MIN. STORM SEWER ONLY  
OUTSIDE OF PIPE TO OUTSIDE OF PIPE

SANITARY OR STORM SEWER MAIN  
SANITARY OR STORMWATER FM, LATERAL  
OR RECLAIMED WATER MAIN (1)

\*CROSSINGS



WATER MAIN CROSSING  
OVER STORM SEWER MAIN

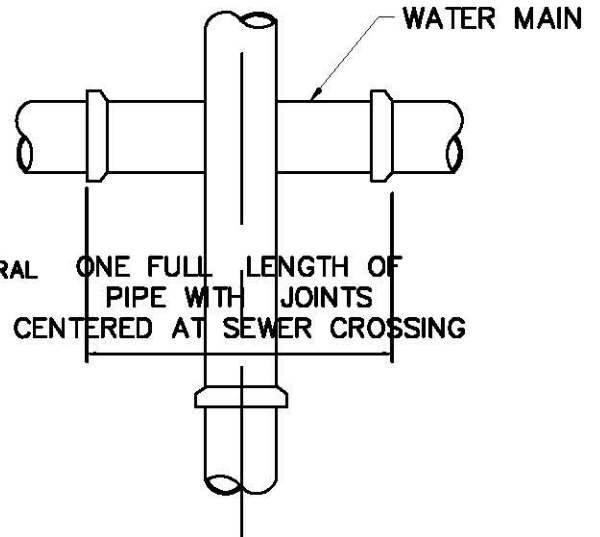
SANITARY SEWER MAIN, LATERAL  
OR FORCE MAIN



12" OUTSIDE OF PIPE TO OUTSIDE OF PIPE

WATER MAIN

\*CROSSINGS



SANITARY SEWER CROSSING  
OVER WATER MAIN

NOTES:

1. SEPERATIONS BETWEEN WATER MAINS AND GRAVITY SEWER, VACUUM TYPE SEWER, OR STORM SEWERS TO BE PREFERABLY 12 INCHES OR AT LEAST 6 INCHES ABOVE OR AT LEAST 12 INCHES IF BELOW.
2. PRESSURIZED SANITARY SEWER, OR STORM WATER FORCE MAIN, OR RECLAIMED WATER, AT LEAST 12 INCHES ABOVE OR BELOW.

CENTER 1-FULL LENGTH OF WATER MAIN PIPE AT CROSSINGS;  
ALTERNATIVELY ARRANGE PIPES SO JOINTS ARE AT LEAST 3 FEET FROM  
JOINTS IN VACUUM, STORM OR STORM FORCE MAINS OR AT LEAST 6 FEET  
FROM JOINTS IN GRAVITY OR PRESSURE SEWERS, WASTEWATER  
FORCEMAINS OR RECLAIMED WATER.

JOINT SPACING AT  
VERTICAL CROSSINGS  
N.T.S.

F:\work\ALL\CAD-DWG\STANDARDS\CMB\_STANDARD\_DETAILS\Public Works Manual\CMB Water Details