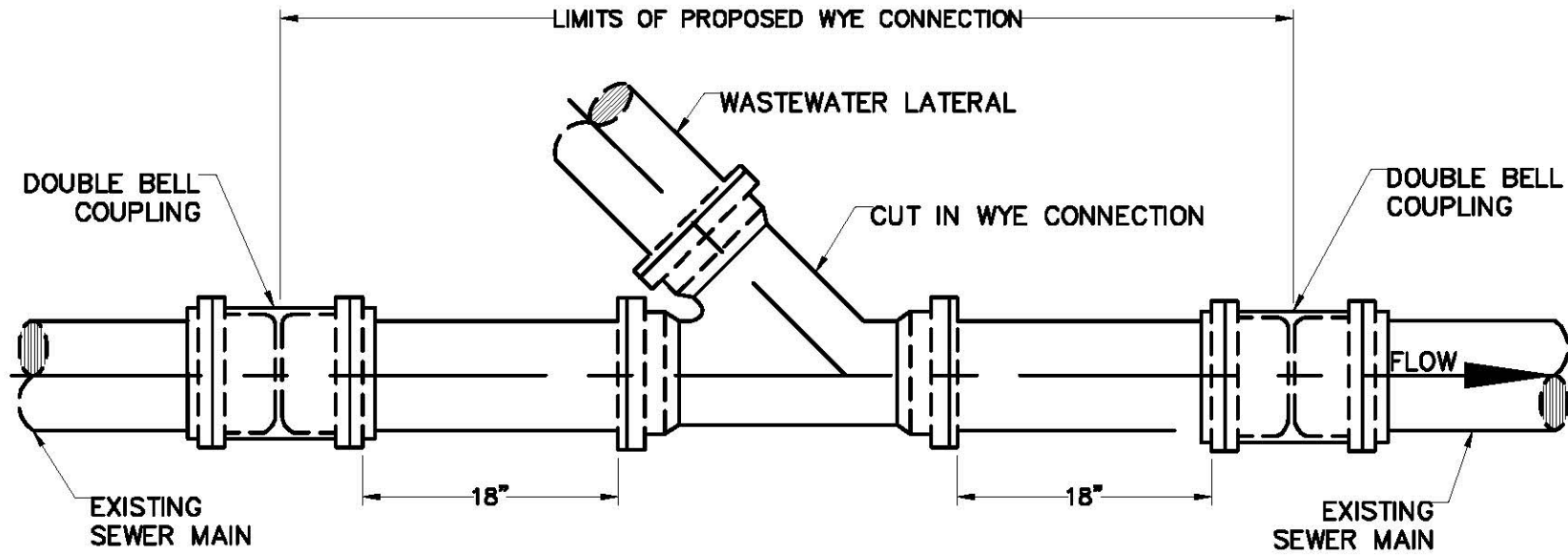




F:\work\%L\LOAD-DWG\STANDARD\ARDS\CMB - STANDARD - DETAIL\SPublic Works Manual\CMB Sanitary Details



NEW LATERAL ON EXISTING GRAVITY
WASTEWATER MAIN CONNECTION

N.T.S.