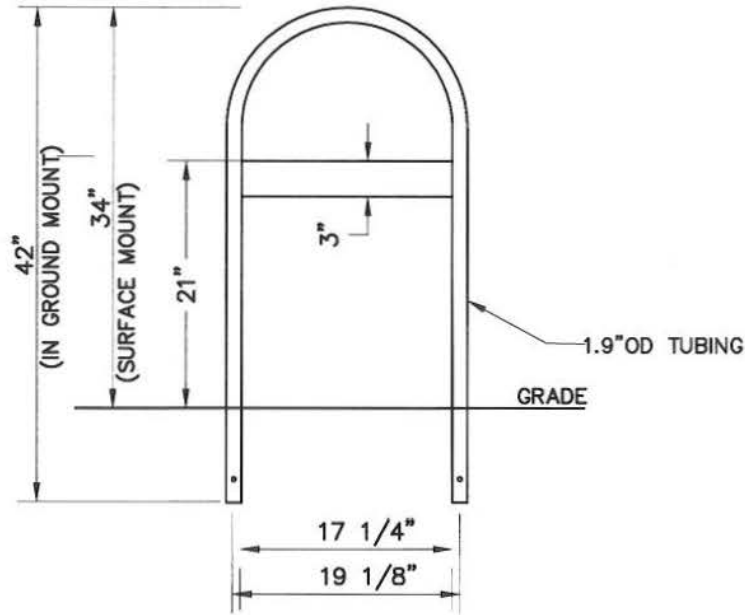
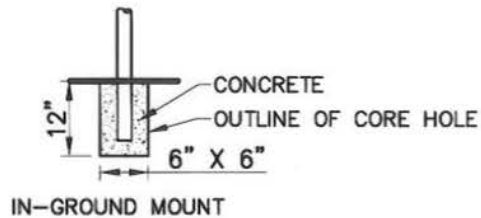




C:\80-142015372643Rack081.rvt\Bicycle Works Manual Copy Disk\Bicycle Details



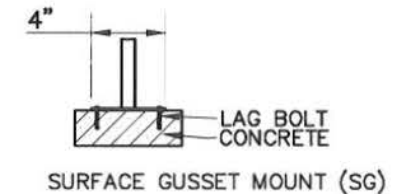
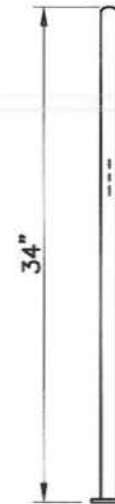
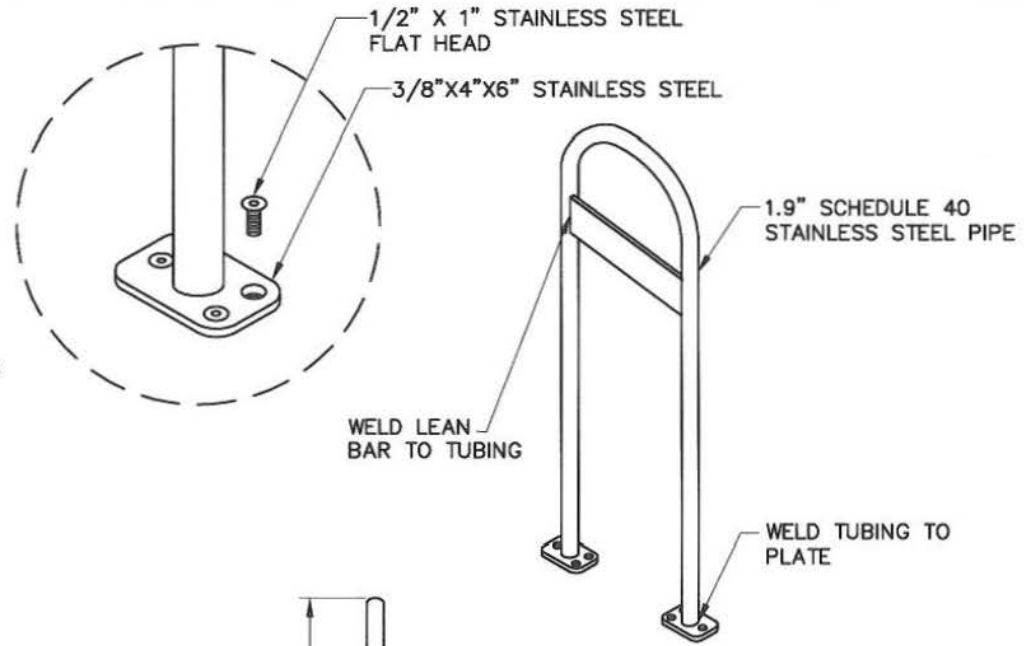
ELEVATION VIEW



IN-GROUND MOUNT

**NOTE:**

- 1- STAINLESS STEEL SCHEDULE 40 SATIN #4 POLISH
- 2- 1/2" x 1" (OR LONGER AS NEEDED) STAINLESS STEEL FLAT HEAD, SOCKET HEAD CAP SCREW SECURE BIKE RACK TO MOUNT.
- 3- FLUSH BOLTS TO BE USED WITH 1/2" X 13 THREADED RECEIVERS FOR SURFACE MOUNT, OR IN-GROUND POST WITH MATCHING PLATE, WHERE NEEDED.
- 4- WHEN USING MORE THAN ONE LOOP, SEPERATION BETWEEN EACH LOOP WILL BE A MINIMUM OF 28".
- 5- CONCRETE 2500 PSI



**BICYCLE U RACK DETAIL**  
N.T.S.