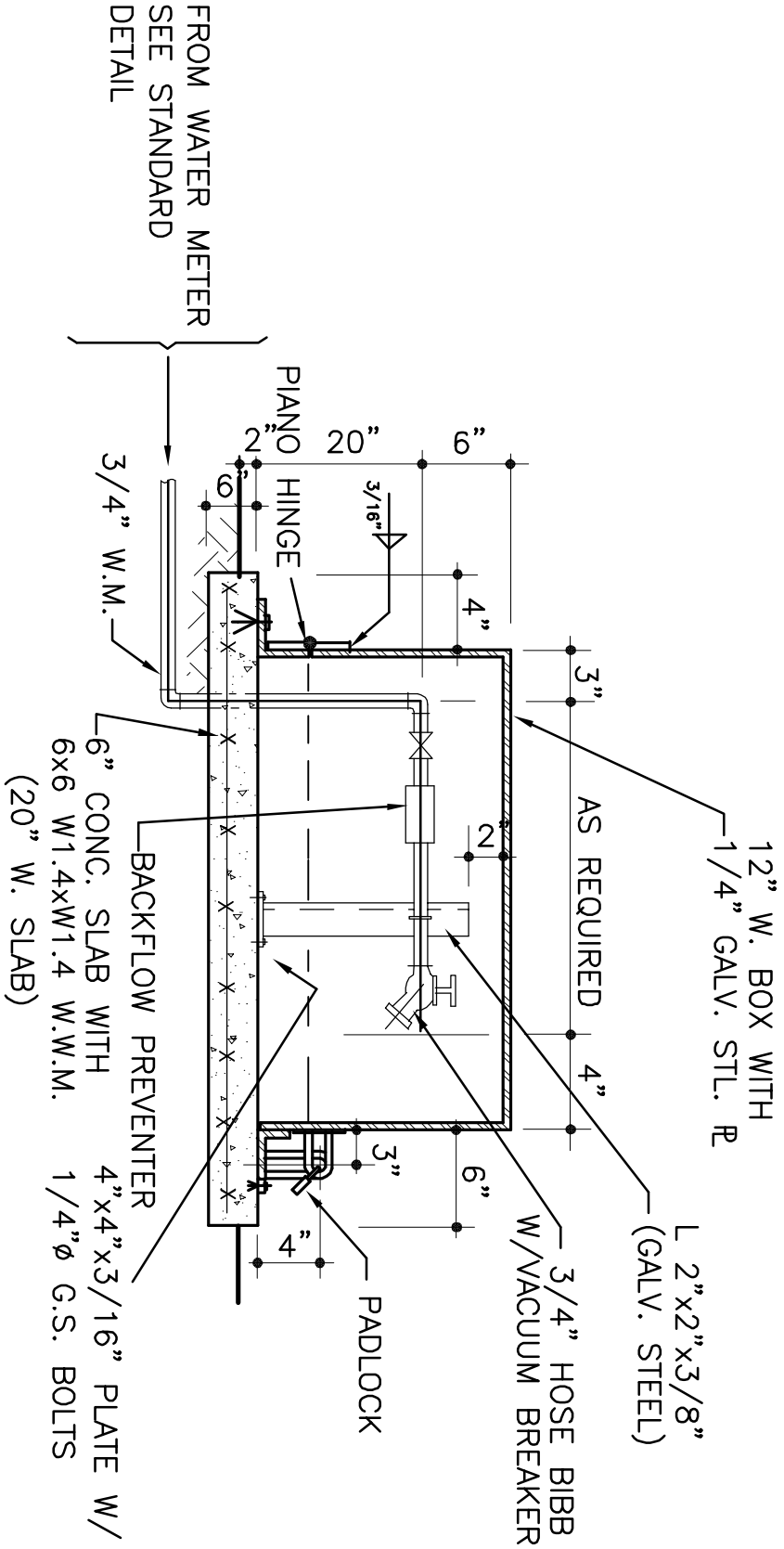


F:\work\SALLCAD-DWG\STANDARD\CMB_STANDAR\DETAILS\Public Works Manual\CMB Pump Station Details



HOSE BIBB DETAIL
N.T.S.